

10-174

CHELTON

S-Band Blade Antenna

Key features:

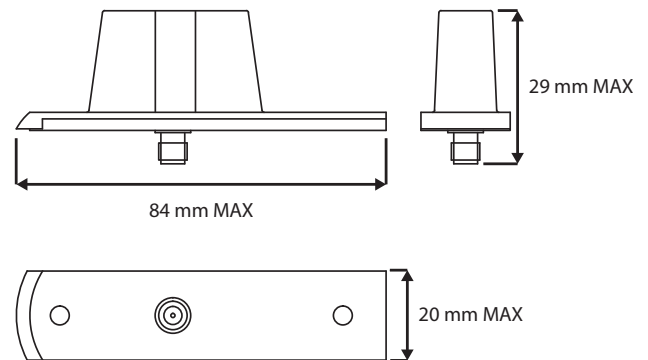
- Datalink Antenna
- PEEK shell
- Very low profile

The 10-174 antenna has been designed to provide omni-directional patterns at S-Band to support telemetry applications.



ELECTRICAL

Frequency Range (MHz)	2250 - 2450
Impedance	50 Ω
VSWR	1.5:1
Polarisation	Vertical
Radiation	Omnidirectional
Power Handling	75 max peak



MECHANICAL

Dimensions (LxWxH)	84 x 20 x 29 mm
Weight	0.05 kg
Connector	SMA
Platform(s)	Air

ENVIRONMENTAL

Standard	MIL-STD-810F
Continuous Operating Temperature	- 54°C Min + 110°C Max
Altitude	50000 ft
Vibration	MIL-STD-810F, Method 514.5, Procedure I, Category 5

