

SA9-180-0.96-1.22V/1814



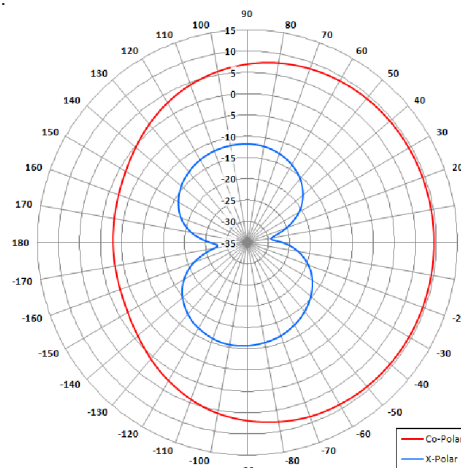
LINK16 Sector Antenna

Key Features

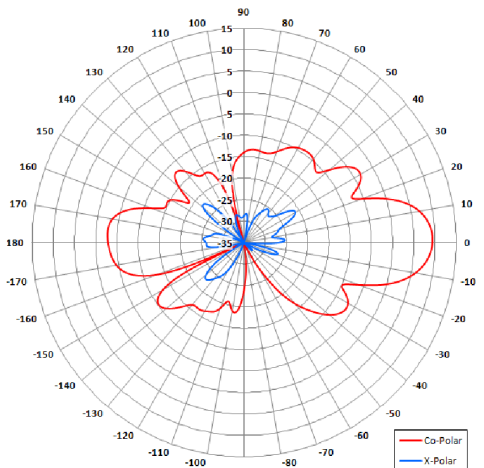
Pattern - Sectoral

Designed for LINK16 Applications

Suitable for Ground to Air Links

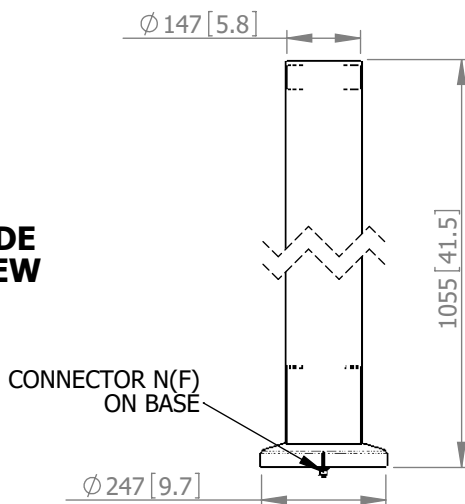


Azimuth Polar Plot

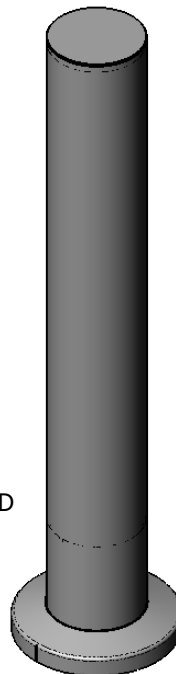
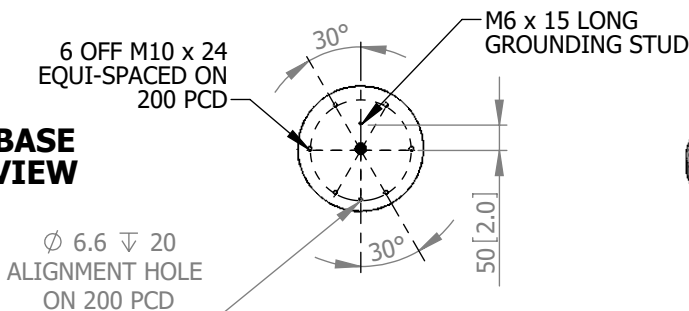


Elevation Polar Plot

SIDE VIEW



BASE VIEW



ELECTRICAL

Frequency:	960 - 1215 MHz
Gain:	9 dBi
Polarisation:	Linear (Vertical)
Beamwidth:	180° (Az) x 20° (El)
VSWR:	1.5:1 Max
Power Rating:	100W Average (200W Peak)
Front to Back:	9.5 dB Min
Electrical Tilt:	0°

MECHANICAL

Standard Finish:	Interthane 990 K705 Haze Grey
Mass:	6.9 Kg / 14.1 lbs
Temperature:	-28° to +55°C
Wind Loading:	300 N @ 100 mph

MOUNTING OPTIONS

Kits Available:	N/A
-----------------	-----

See Separate Data Sheets

DS: 1814-1 Issued: 211020
Dimensions: mm [inches] L

Chelton Limited has a policy of continuous development and stress that the information provided is a guide only and does not constitute an offer or contract or part thereof. Whilst every effort is made to ensure the accuracy of the information contained in this brochure, no responsibility can be accepted for any errors or omissions.

The copyright of antenna designs and images is copyright protected and owned by Chelton Limited.
©Chelton Limited

For further information please contact:
Chelton Limited,
Lambda House, Cheveley,
Newmarket, Suffolk CB8 9RG, UK.
T: +44 (0)1638 732 177
E: newmarket.sales@chelton.com
W: www.chelton.com/microwave